

155 mm M119A2 Propelling Charge

Use:

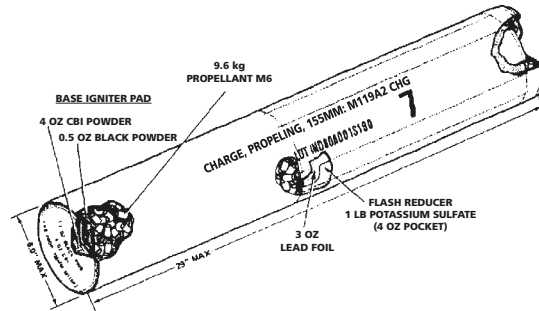
This propelling charge is a Zone 7 red bag charge for firing in 155mm Howitzers containing M185 and M199 cannon tubes.

Description:

The M119A2 Propelling Charge is a single increment red bag charge which contains a base igniter pad with 4 ounces CBI powder and a center spot of 0.5 ounces of black powder. The charge is approximately 29 inches long by 6 inches in diameter and contains 20,9 pounds of M6 propellant. The forward end of the charge has a 3 ounces lead foil liner and four pockets sewn longitudinally to the circumference. Each of the four pockets contains 4 ounces of potassium sulfate to act as a flash reducer.

Functioning:

Upon firing the weapon, a flash from the primer ignites the CBI powder in the base igniter pad which ignites the black powder spot. The burning of the CBI and black powder spot in turn ignites the propellant. The burning propellant generates rapidly expanding gases which propel the projectile through the barrel and up to the velocity required to reach the target. The flash reducer functions to reduce blast overpressure and flash at the muzzle of the weapon. The lead foil liner serves to prevent copper build-up (coppering) in the weapon.

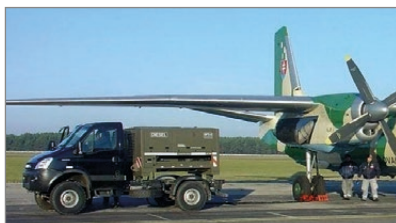


Tabulated Data:

Type	Red bag, separate loading
Weight	10.7 kg
Length	74 cm
Colour	Red with black markings
Propellant	M6 (9.5 kg explosive)
Cannon used with	M185 (M109A1/A2/A3) M199 (M198)
Primer	M82
Flash reducer	Potassium Sulfate 0.5kg
Igniter	CBI 113g, black powder 14.2g

Technical data:

Temperature Limits	Firing	Lower limit	-40 °F (-40 °C)
		Upper limit	+125 °F (+51 °C)
	Storage	Lower limit	-65 °F (-53.8 °C) (for periods not more than 3 days)
		Upper limit	+160 °F (+71.1 °C) (for periods not more than 4 hrs/day)
Packing	1 propelling charge in metal container PA37A1.		



MSM GROUP Ltd. was established by transformation of MSM Martin Ltd., which dealt with construction, development, production and sales mainly with military material. MSM Martin Ltd. in the last few years took over several military companies located in the middle of Slovakia, and built on its traditional manufacturing activities in military and civil production.

Due to **ZVS** inclusion into the group structure we can state that the origin of **MSM GROUP Ltd.** comes **back to 1927** when then Škoda Works in Plzeň, as a monopoly producer of ammunition decided to build so called „spare factory“ in Slovakia. The company was totally destroyed during the World War II, and it took several years while the production was restored to such extend, that its products were supplied not only for the Ministry of National Defence, but for many countries worldwide as well.

Today the **MSM GROUP Ltd.** makes use of rich experiences from the past and know-how of highly qualified workers and vast archive of technical documentation for all necessary procedures.

In 2009 the biggest Czech military holding **CSG (CZECHOSLOVAK GROUP)** entered MSM as a co-owner.

WHY TO COOPERATE WITH US:

More than 70 years experiences in the ammunition development, production and complete services in this field.

Long tradition in the MSM locations for the ammunition production processes with significant effects as the deep skilled personal, support industries, development fields, education etc.

More information at

www.msm.sk



➤ MSM GROUP, s.r.o.

Štúrova 925/27, 018 41 Dubnica nad Váhom, Slovak Republic
Reg No.: 46553509, VAT ID No.: SK 7120001405



www.msm.sk



člen
member of **CSG**
CZECHOSLOVAK GROUP